

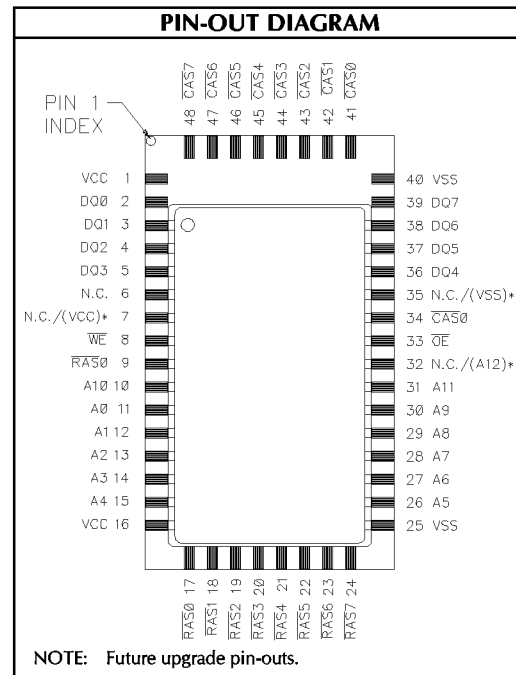
DESCRIPTION:

The *M-Densus* series is a family of interchangeable memory modules. The 16 Megabit DRAM is a member of this family which utilizes the new and innovative space saving TSOP technology. The modules are constructed with 2 Meg x 8 DRAM's available in 128, 64, 32 and 16 Megabits.

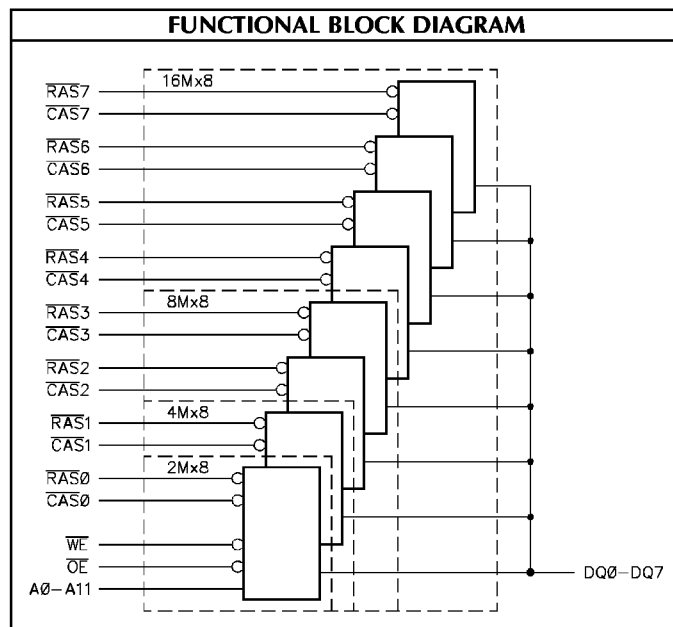
The 16 Megabit based *M-Densus* modules have been designed to fit in the same footprint as the 8 Meg x 8 DRAM TSOP monolithic and 64 Megabit based family of *M-Densus* modules. This allows the memory board designer to upgrade the memory in their products without redesigning the memory board, thus saving time and money.

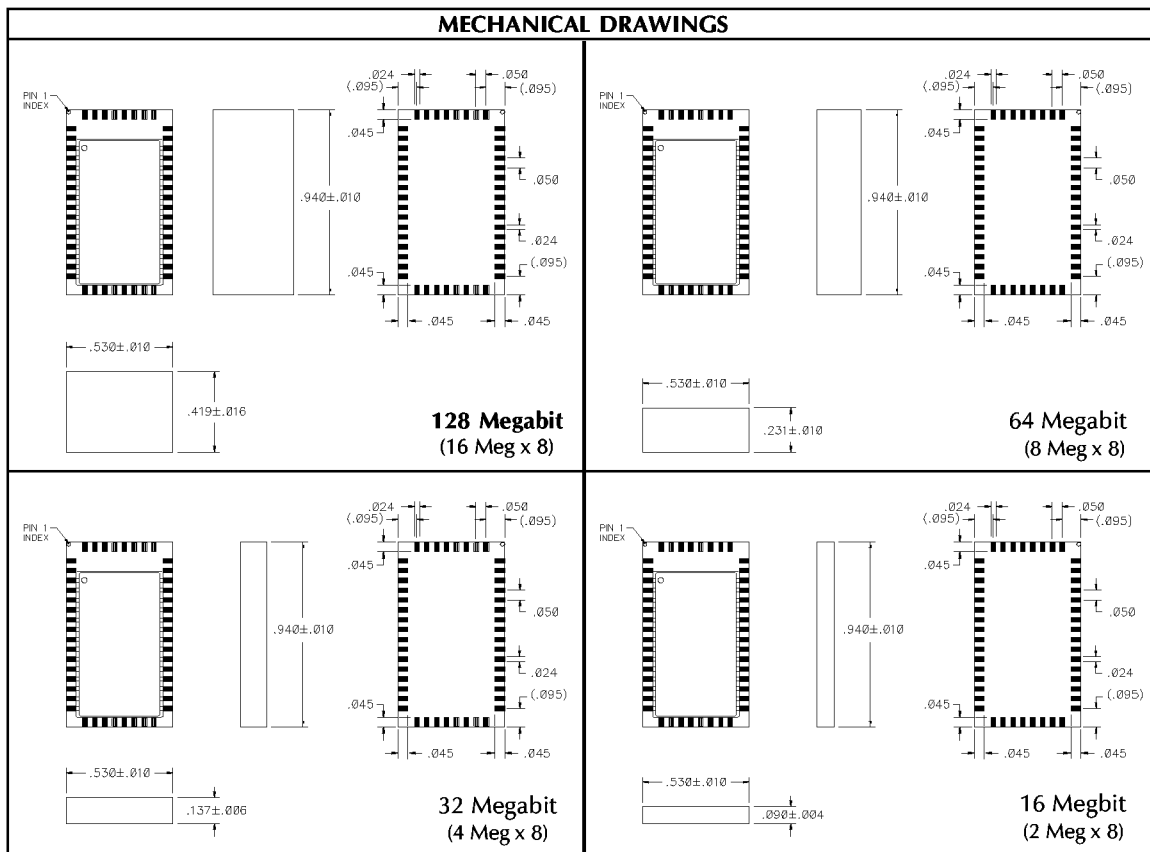
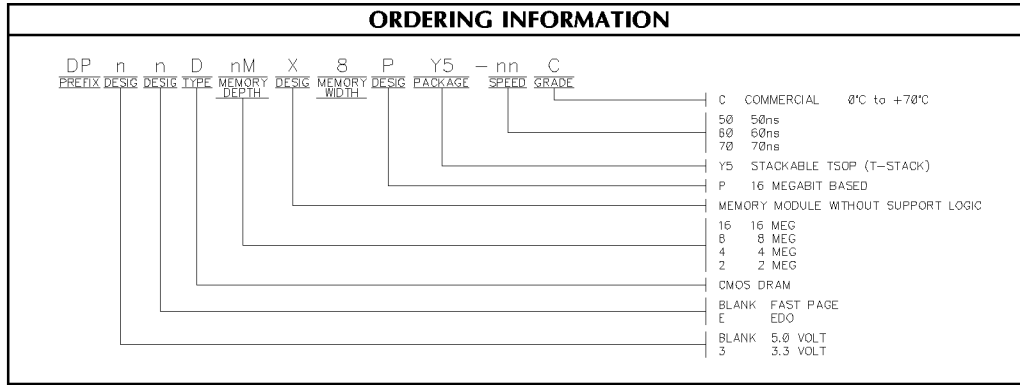
FEATURES:

- Configurations Available:
 - 128 Megabit: 16 Meg x 8
 - 64 Megabit: 8 Meg x 8
 - 32 Megabit: 4 Meg x 8
 - 16 Megabit: 2 Meg x 8
- Access Times: 50, 60, 70ns (max.)
- 5.0V or 3.3V Supply
- Common Data Inputs and Outputs
- EDO or Fast Page Mode Capability
- 4096 Cycles / 64 ms
- 3 Variations of Refresh:
 - RAS only Refresh
 - CAS before RAS Refresh
 - Hidden Refresh
- Package: TSOP Leadless Module



PIN NAMES	
A0 - A11	Row Address: A0 - A11 Column Address: A0 - A8 Refresh Address: A0 - A11
DQ0 - DQ7	Data In / Data Out
CAS0 - CAS7	Column Address Strobes
RAS0 - RAS7	Row Address Enables
WE	Data Write Enable
OE	Data Output Enable
VDD	Power Supply (+5V/3.3V)
Vss	Ground
N.C.	No Connect





Dense-Pac Microsystems, Inc.

7321 Lincoln Way ♦ Garden Grove, California 92841-1431
 (714) 898-0007 (800) 642-4477 (Outside CA) ♦ FAX: (714) 897-1772 ♦ <http://www.dense-pac.com>